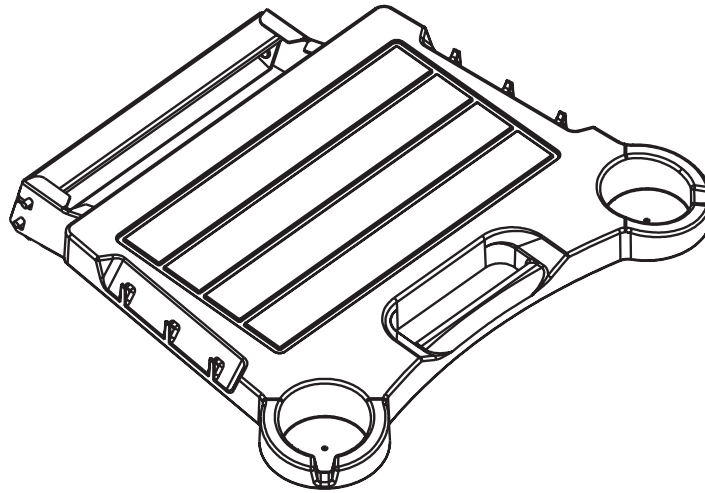




DROP-DOWN SHELF KIT OWNER'S MANUAL SKFPBLACK



CONGRATULATIONS!

You have chosen the finest accessory for your outdoor cooking pleasure. Please take time to read this entire manual before installing your premium Broilmaster® Shelf Kit.

Before You Begin

This manual includes an illustration for each of the drop-down shelf kit available for your grill.

Compare the parts found in the shipping container to the parts list. If any parts are missing contact your Broilmaster® dealer before beginning assembly.

CAUTION: PARTS MAY HAVE SHARP EDGES. WEAR LEATHER WORK GLOVES AND HANDLE PARTS CAREFULLY DURING THE UNPACKING, ASSEMBLY AND THE INSTALLATION.

WARNING: DO NOT CLOSE UP THE AIR GAP BETWEEN SIDE SHELF AND GRILL. CLOSING UP THE GAP BETWEEN SIDE SHELF AND GRILL MAY CAUSE DAMAGE TO THE SIDE SHELF.

RETAIN OWNER'S MANUAL FOR FUTURE REFERENCE.

IMPORTANT INFORMATION

IMPORTANT: THIS MANUAL SHOULD BE READ THOROUGHLY BY THE PERSON INSTALLING THE SHELF KIT AND ALL PERSONS WHO WILL USE AND MAINTAIN THE SHELF KIT. THE INSTALLER SHOULD BE SURE THE MANUAL IS LEFT IN THE POSSESSION OF THE USER. THE USER SHOULD RETAIN THIS MANUAL FOR FUTURE REFERENCE WHEN USING OR CLEANING THE SHELF KIT AND TO PROPERLY IDENTIFY ANY REPAIR PARTS THAT MAY BE REQUIRED.

SIDE SHELF INSTALLATION

Tools Required

These tools are required for the assembly of your shelf kit:

- Phillips screwdriver
- Socket set or nut drivers

Solid Surface Drop-Down Side Shelf

If installed remove cooking grids, briquet and briquet rack.

Insert (2) 1/4 - 20 x 3/4" bolts through bracket and grill head, secure with flat washer, lock washer and 1/4 -20 hex nut. FIGURE 1.

Flex support brackets and align bottom slot with bottom pin on bracket attach. FIGURE 2.

Install cooking grids, briquet and briquet rack.

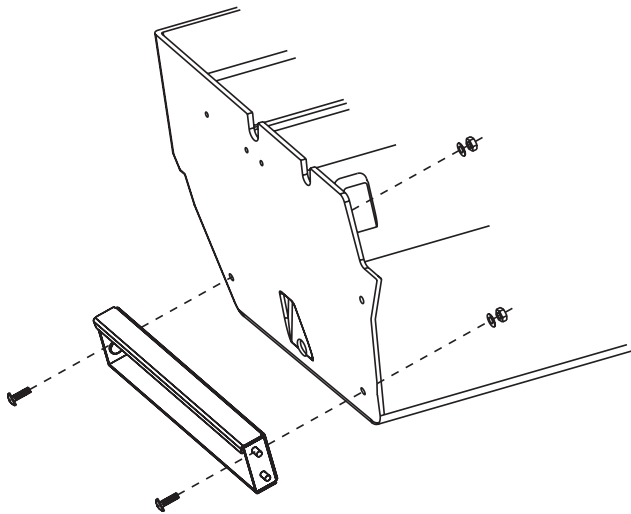
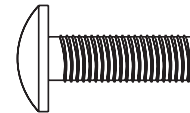
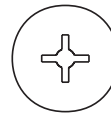
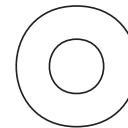


FIGURE 1



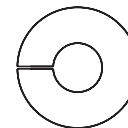
B072220 SCREW 1/4-20 X 3/4 PH TRUSS HEAD BOS



B100136 9/32 X 5/8 OD FLAT WASHER BOS



B100120 1/4-20 HEX NUT DBLCT DBLCH BOS



B100139 1/4 LOCK WASHER BOS

FIGURE 3

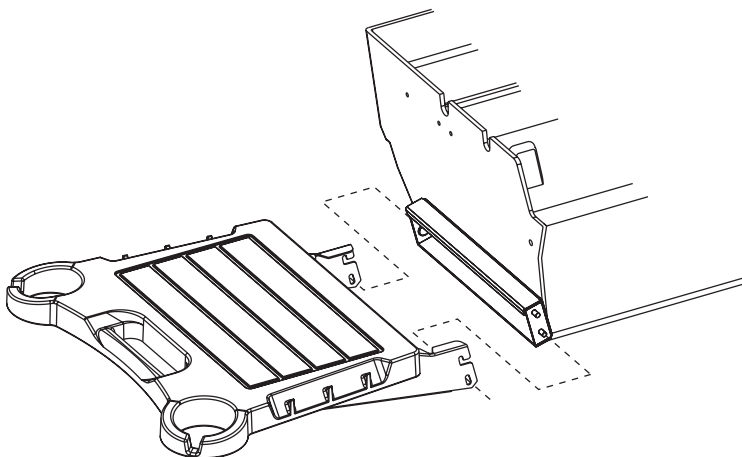
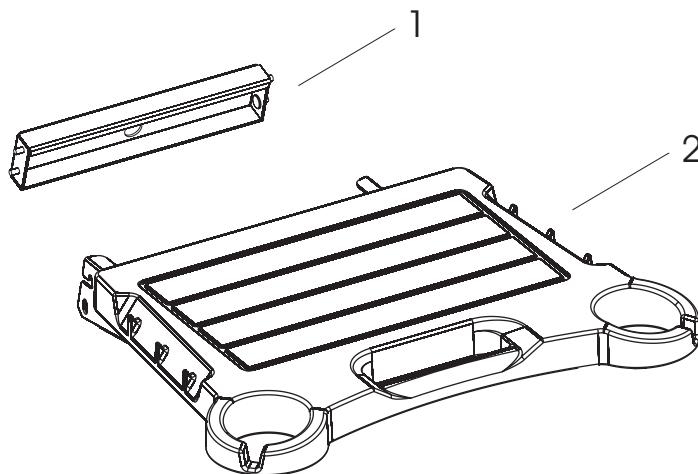


FIGURE 2

PARTS DIAGRAM & PARTS LIST - DROP-DOWN SIDE SHELF

All repair part orders should be placed through your local Broilmaster® dealer. To locate a dealer in your area, contact Broilmaster Customer Service at 800-851-3153 • www.broilmaster.com. To ensure prompt and accurate service, please provide the following information when placing a repair part order: Model Number of your grill, Part Name, Part Number, and Quantity of parts needed.

PARTS LIST		
Index No.	Part No.	Description
1	B100556	BRACKET ATTACH (PAINTED)
2	B101021	SKFPBLACK SHELF ASSEMBLY



BROILMASTER®

A Division of Empire Comfort Systems, Inc.

918 Freeburg Ave.

Belleville, Illinois 62220

Phone: 1-800-851-3153

FAX: 1-800-443-8648

www.broilmaster.com

RETAIN OWNER'S MANUAL FOR FUTURE REFERENCE.